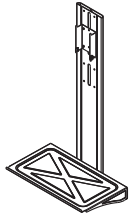




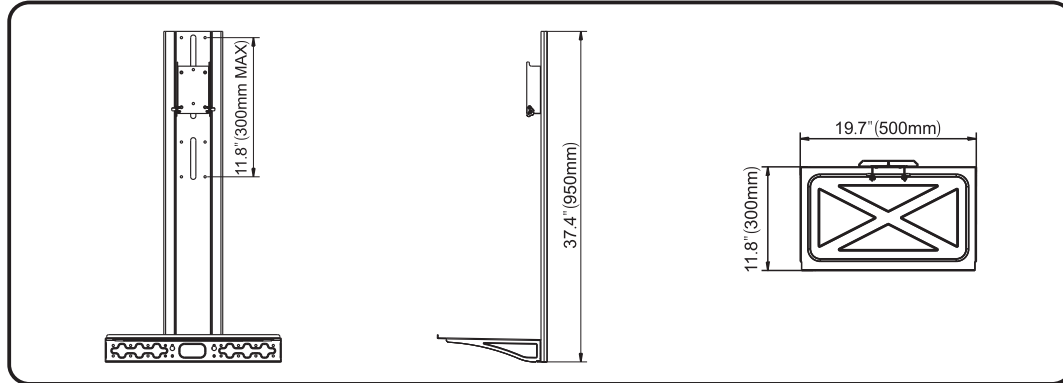
**Mobile TV Cart Accessories
Installation Manual**



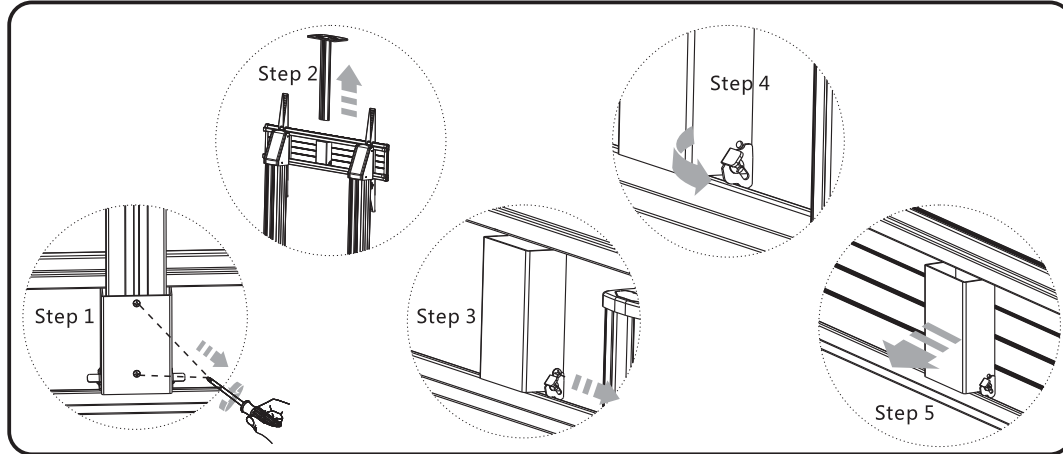
FP-3

Applicable to: TW100, T75-2A
Load Capacity: 10kg (22 lbs)

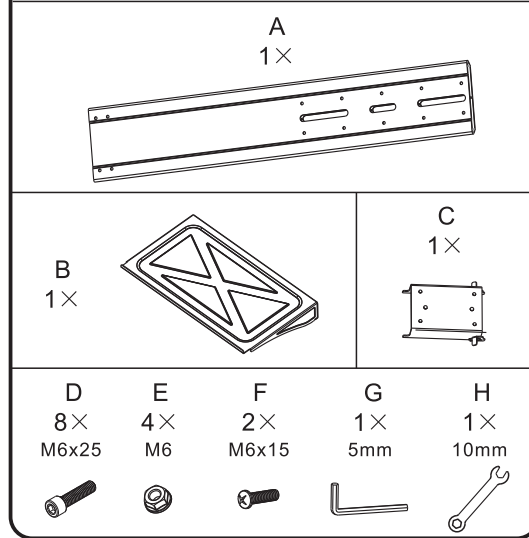
A. Parameter



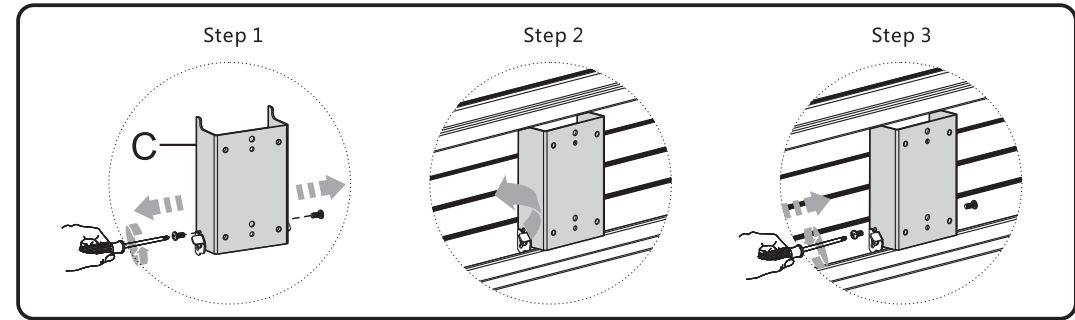
B. Original Bracket Removal



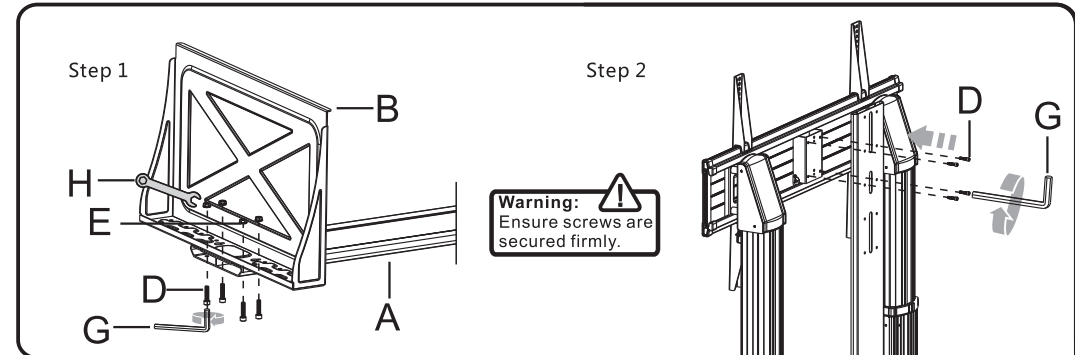
Parts List



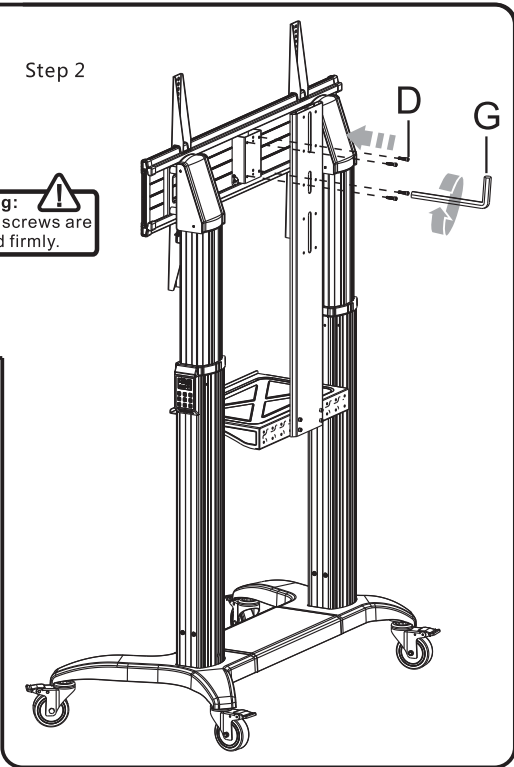
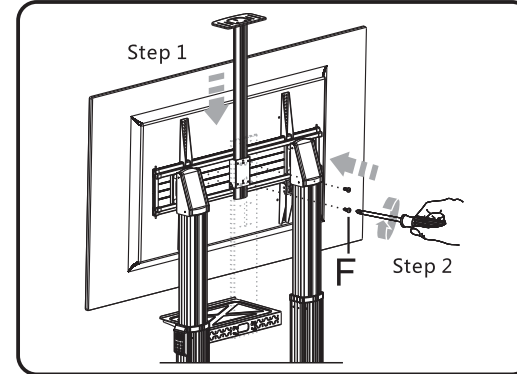
C. New Bracket Installation



D. Shelf Installation



E. Top Tray Re-installation



Warning

- Severe personal injury and property damage can result from improper installation or assembly. Read the following warning carefully before beginning.
- If you do not understand the instructions or have any concerns or questions, please contact a qualified local installer.
 - Do not install or assemble if the product or hardware is damaged or missing, if you require replacement parts, please contact your local distributor for assistance.
 - Do not use this product for other than the original designed.
 - This product is designed for indoor used only, use of this product outdoor could lead to product failer and severe personal injury.

▶ We reserve the right to modify or alter instructions. No modification or alteration without formal notice.
▶ If sketches and images are different from parts and components received, please base on actual delivered parts.



Kunshan Hongjie Electronics Co., Ltd
1050, Fu Chun Jiang Road,
Economic Development Zone.
Kunshan City, Jiangsu Province.
China. 215333
Mail : info@nbavmount.com
www.new-nb.com